

LED PLS Tube

Model : IPL-S03-H108A

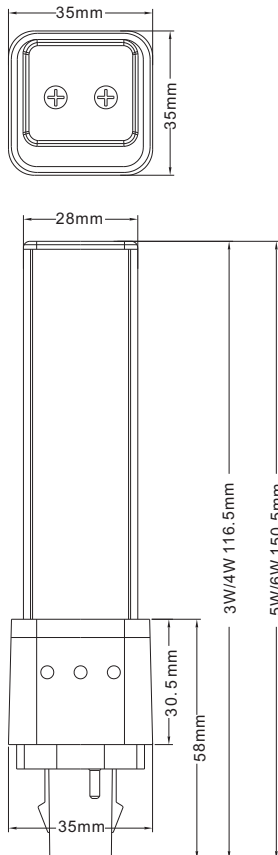
Features:

This product is good for workshop, office, bank, hospital, shopping centre, subway, school, and other indoor places which require light of high - luminosity and energy-saving.

1. Energy saving: It save 80% energy than traditional incandescent bulb.
2. Eco-Green: No radiation, no mercury, no lead, no harmful elements, all products can be recycled.
3. Long lifespan: 50,000 hours, 10 times over than traditional lights.
4. High light Efficiency: The product can reach,100lm/W.
5. It is safe and easy to be used and installed.



Model : IPL-S03-H108A



Standard

Standard Size(mm)	35*35*116.5mm
Voltage (V)	AC85~265V
Lamp Holder	G23
Beam Angle	120 degree
CRI	>80Ra
Luminous Efficacy	100 lm/w
Power Factor	> 0.90
Power (W)	3W
Cover Material	Aluminium , PC Cover
Color Temperature	2700K-6500K
Life Time	50,000(H)
Operating Temperature	-20~40°C
Lux in 2 m	25Lux
IP Grade	IP 20

LED PLS Tube

Model : IPL-S04-H108A

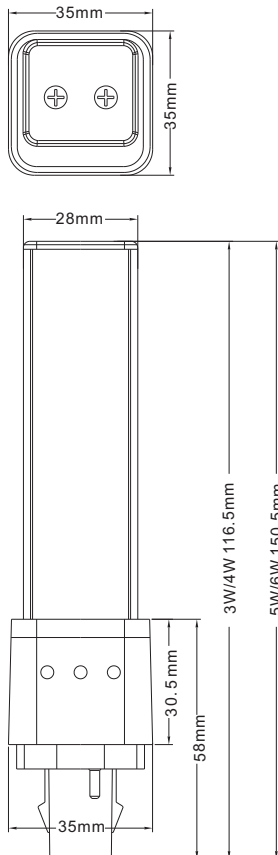
Features:

This product is good for workshop, office, bank, hospital, shopping centre, subway, school, and other indoor places which require light of high - luminosity and energy-saving.

1. Energy saving: It save 80% energy than traditional incandescent bulb.
2. Eco-Green: No radiation, no mercury, no lead, no harmful elements, all products can be recycled.
3. Long lifespan: 50,000 hours, 10 times over than traditional lights.
4. High light Efficiency: The product can reach,100lm/W.
5. It is safe and easy to be used and installed.



Model : IPL-S04-H108A



Standard

Standard Size(mm)	32*20.5*135mm
Voltage (V)	AC85~265V
Lamp Holder	G23
Beam Angle	120 degree
CRI	>80Ra
Luminous Efficacy	100 lm/w
Power Factor	> 0.90
Power (W)	4W
Cover Material	Aluminium , PC Cover
Color Temperature	2700K-6500K
Life Time	50,000(H)
Operating Temperature	-20~40°C
Lux in 2 m	35Lux
IP Grade	IP 20

LED PLS Tube

Model : IPL-S05-H108A

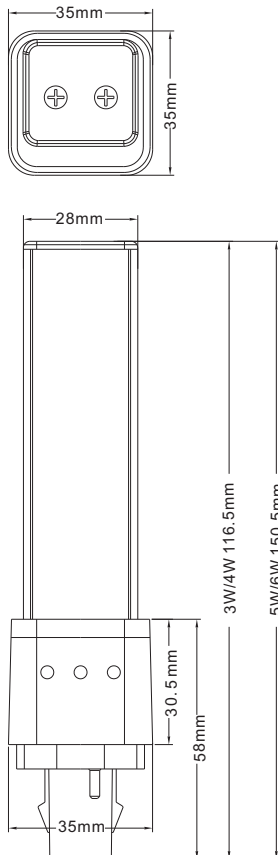
Features:

This product is good for workshop, office, bank, hospital, shopping centre, subway, school, and other indoor places which require light of high - luminosity and energy-saving.

1. Energy saving: It save 80% energy than traditional incandescent bulb.
2. Eco-Green: No radiation, no mercury, no lead, no harmful elements, all products can be recycled.
3. Long lifespan: 50,000 hours, 10 times over than traditional lights.
4. High light Efficiency: The product can reach,100lm/W.
5. It is safe and easy to be used and installed.



Model : IPL-S05-H108A



Standard

Standard Size(mm)	41*28.5*263mm
Voltage (V)	AC85~265V
Lamp Holder	G23
Beam Angle	120 degree
CRI	>80Ra
Luminous Efficacy	120 lm/w
Power Factor	> 0.90
Power (W)	5W
Cover Material	Aluminium , PC Cover
Color Temperature	2700K-6500K
Life Time	50,000(H)
Operating Temperature	-20~40°C
Lux in 2 m	45Lux
IP Grade	IP 20

LED PLC Tube

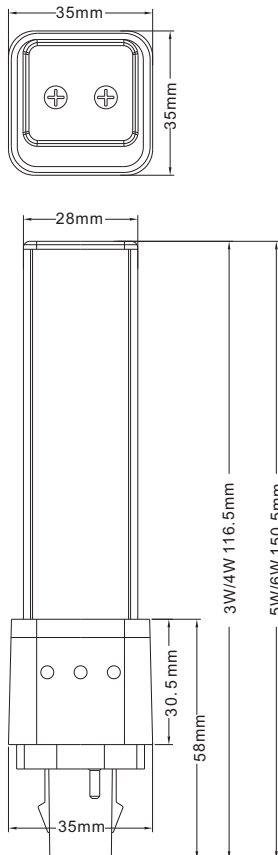
Model : IPL-C03-H108A

Features:

1. Low energy consumption with high luminous output
2. 360 degree rotatable base angles
3. Aluminum body with PC lens (clear or milky)
4. Comply to FSD COP PPA-104A with electro-magnetic driver & hot wired test 850°C



Model : IPL-C03-H108A



Standard

Standard Size(mm)	35*35*116.5mm
Voltage (V)	AC85~265V
Lamp Holder	G24
Beam Angle	120 degree
CRI	>80Ra
Luminous Efficacy	100 lm/w
Power Factor	> 0.90
Power (W)	3W
Cover Material	Aluminium , PC Cover
Color Temperature	2700K-6500K
Life Time	50,000(H)
Operating Temperature	-20~40°C
Lux in 2 m	25Lux
IP Grade	IP 20

LED PLC Tube

Model : IPL-C04-H108A

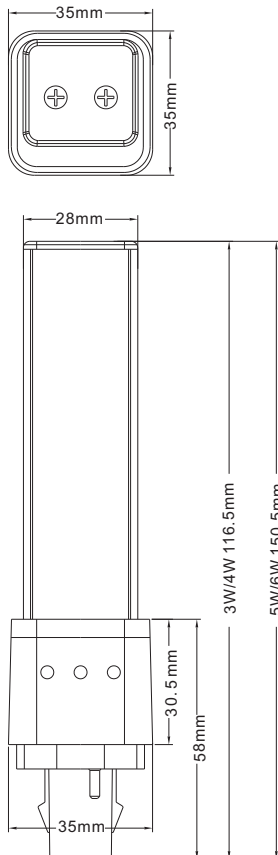
Features:

This product is good for workshop, office, bank, hospital, shopping centre, subway, school, and other indoor places which require light of high - luminosity and energy-saving.

1. Energy saving: It save 80% energy than traditional incandescent bulb.
2. Eco-Green: No radiation, no mercury, no lead, no harmful elements, all products can be recycled.
3. Long lifespan: 50,000 hours, 10 times over than traditional lights.
4. High light Efficiency: The product can reach,100lm/W.
5. It is safe and easy to be used and installed.



Model : IPL-C04-H108A



Standard

Standard Size(mm)	35*35*116.5mm
Voltage (V)	AC85~265V
Lamp Holder	G24
Beam Angle	120 degree
CRI	>80Ra
Luminous Efficacy	100 lm/w
Power Factor	> 0.90
Power (W)	4W
Cover Material	Aluminium , PC Cover
Color Temperature	2700K-6500K
Life Time	50,000(H)
Operating Temperature	-20~40°C
Lux in 2 m	35Lux
IP Grade	IP 20

LED PLC Tube

Model : IPL-C06-H108A

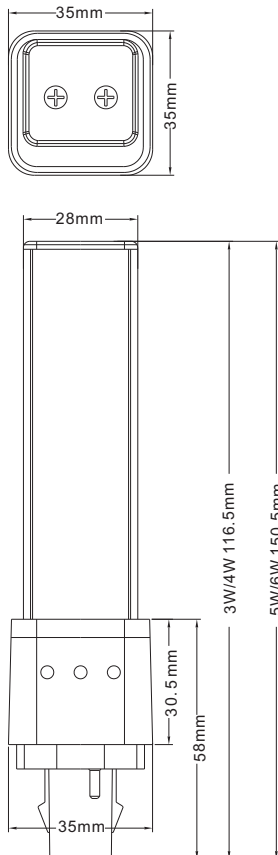
Features:

This product is good for workshop, office, bank, hospital, shopping centre, subway, school, and other indoor places which require light of high - luminosity and energy-saving.

1. Energy saving: It save 80% energy than traditional incandescent bulb.
2. Eco-Green: No radiation, no mercury, no lead, no harmful elements, all products can be recycled.
3. Long lifespan: 50,000 hours, 10 times over than traditional lights.
4. High light Efficiency: The product can reach,100lm/W.
5. It is safe and easy to be used and installed.



Model : IPL-C06-H108A



Standard

Standard Size(mm)	35*35*150.5mm
Voltage (V)	AC85~265V
Lamp Holder	G24
Beam Angle	120 degree
CRI	>80Ra
Luminous Efficacy	100 lm/w
Power Factor	> 0.90
Power (W)	6W
Cover Material	Aluminium , PC Cover
Color Temperature	2700K-6500K
Life Time	50,000(H)
Operating Temperature	-20~40°C
Lux in 2 m	60Lux
IP Grade	IP 20

LED PLC Tube

Model : IPL-C06-H128A

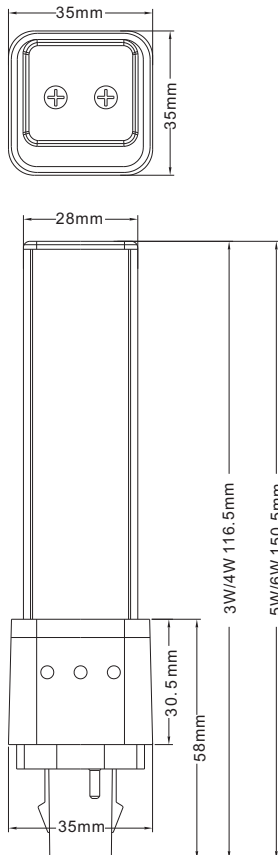
Features:

This product is good for workshop, office, bank, hospital, shopping centre, subway, school, and other indoor places which require light of high - luminosity and energy-saving.

1. Energy saving: It save 80% energy than traditional incandescent bulb.
2. Eco-Green: No radiation, no mercury, no lead, no harmful elements, all products can be recycled.
3. Long lifespan: 50,000 hours, 10 times over than traditional lights.
4. High light Efficiency: The product can reach,100lm/W.
5. It is safe and easy to be used and installed.



Model : IPL-C06-H128A



Standard

Standard Size(mm)	35*35*150mm
Voltage (V)	AC85~265V
Lamp Holder	G24
Beam Angle	120 degree
CRI	>80Ra
Luminous Efficacy	120 lm/w
Power Factor	> 0.90
Power (W)	6W
Cover Material	Aluminium , PC Cover
Color Temperature	2700K-6500K
Life Time	50,000(H)
Operating Temperature	-20~40°C
Lux in 2 m	70Lux
IP Grade	IP 20

LED PLL Tube

Model : IPL-L0208-H108A

Features:

This product is good for workshop, office, bank, hospital, shopping centre, subway, school, and other indoor places which require light of high - luminosity and energy-saving.

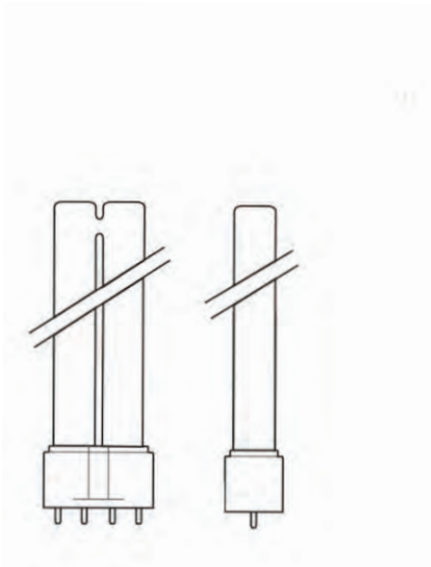
1. Energy saving: It save 80% energy than traditional incandescent bulb.
2. Eco-Green: No radiation, no mercury, no lead, no harmful elements, all products can be recycled.
3. Long lifespan: 50,000 hours, 10 times over than traditional lights.
4. High light Efficiency: The product can reach,100lm/W.
5. It is safe and easy to be used and installed.



Model : IPL-L0208-H108A

Standard

Standard Size(mm)	43*29*225mm
Voltage (V)	AC85~265V
Lamp Holder	2G11
Beam Angle	120 degree
CRI	>80Ra
Luminous Efficacy	100 lm/w
Power Factor	> 0.90
Power (W)	8W
Cover Material	Aluminium , PC Cover
Color Temperature	2700K-6500K
Life Time	50,000(H)
Operating Temperature	-20~40°C
Lux in 2 m	65Lux
IP Grade	IP 20



LED PLL Tube

Model : IPL-L0310-H108A

Features:

This product is good for workshop, office, bank, hospital, shopping centre, subway, school, and other indoor places which require light of high - luminosity and energy-saving.

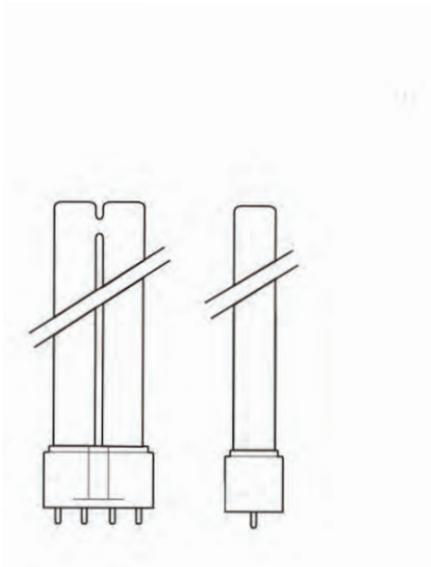
1. Energy saving: It save 80% energy than traditional incandescent bulb.
2. Eco-Green: No radiation, no mercury, no lead, no harmful elements, all products can be recycled.
3. Long lifespan: 50,000 hours, 10 times over than traditional lights.
4. High light Efficiency: The product can reach,100lm/W.
5. It is safe and easy to be used and installed.



Model : IPL-L0310-H108A

Standard

Standard Size(mm)	43*29*320mm
Voltage (V)	AC85~265V
Lamp Holder	2G11
Beam Angle	120 degree
CRI	>80Ra
Luminous Efficacy	100 lm/w
Power Factor	> 0.90
Power (W)	10W
Cover Material	Aluminium , PC Cover
Color Temperature	2700K-6500K
Life Time	50,000(H)
Operating Temperature	-20~40°C
Lux in 2 m	80Lux
IP Grade	IP 20



LED PLL Tube

Model : IPL-L0415-H108A

Features:

This product is good for workshop, office, bank, hospital, shopping centre, subway, school, and other indoor places which require light of high - luminosity and energy-saving.

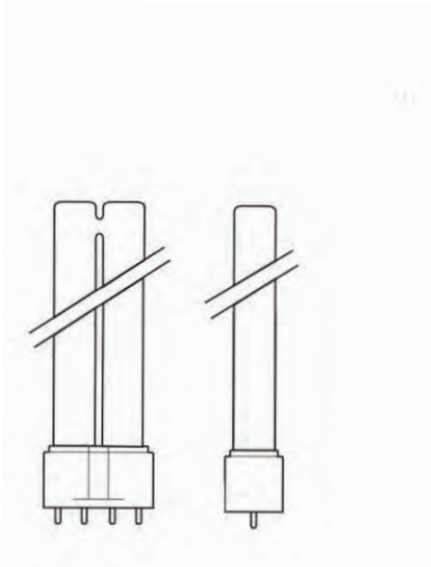
1. Energy saving: It save 80% energy than traditional incandescent bulb.
2. Eco-Green: No radiation, no mercury, no lead, no harmful elements, all products can be recycled.
3. Long lifespan: 50,000 hours, 10 times over than traditional lights.
4. High light Efficiency: The product can reach,100lm/W.
5. It is safe and easy to be used and installed.



Model : IPL-L0415-H108A

Standard

Standard Size(mm)	43*29*410mm
Voltage (V)	AC85~265V
Lamp Holder	2G11
Beam Angle	120 degree
CRI	>80Ra
Luminous Efficacy	100 lm/w
Power Factor	> 0.90
Power (W)	15W
Cover Material	Aluminium , PC Cover
Color Temperature	2700K-6500K
Life Time	50,000(H)
Operating Temperature	-20~40°C
Lux in 2 m	120Lux
IP Grade	IP 20



LED PLT Tube

Model : IPL-T04-H138A

Features:

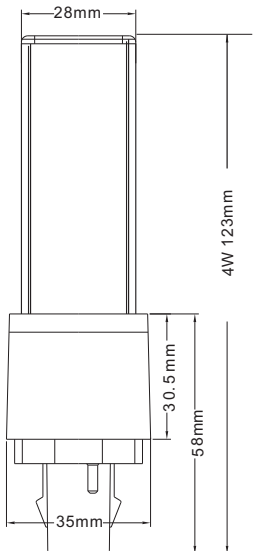
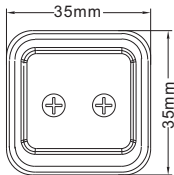
1. Long life span : 30000 hours , 10 times over than traditional lights
2. High light Efficiency : The product can reach 130lm/W
3. Safe and easy to install



Lamp Holder GX24d-2



Model : IPL-T04-H138A



Standard

Standard Size(mm)	35*35*123mm
Voltage (V)	AC85~265V
Lamp Holder	GX24d-2
Beam Angle	120 degree
CRI	>80Ra
Luminous Efficacy	130 lm/w
Power Factor	> 0.90
Power (W)	4W
Cover Material	Aluminium , PC Cover
Color Temperature	2700K / 3000K / 4000K / 6000K
Life Time	30,000(H)
Operating Temperature	-20~40°C